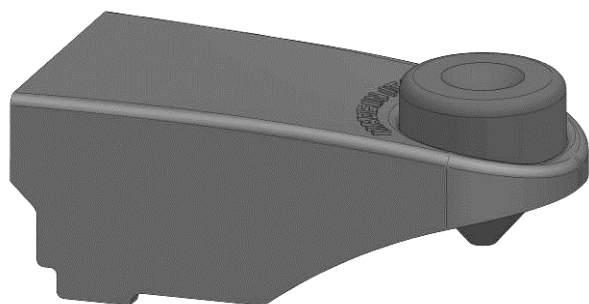


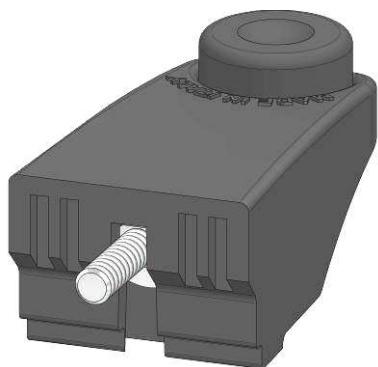


Nylon BUMPER *Fixing with screw to end slat*



MAIN FEATURES

- Nylon bumper with rubber stopper quickly assembled as snap-on device
- Manual fixing with the square head screw
- Black color for all kind of rolling shutters



ADVANTAGES

- Manual fixing on-the-spot (on site)
- Simple and "clean" fixing
- No welding
- It properly matches with our new
 - Handle (012MA00008)
 - ♂ Pvc Gasket for End Slat "L" (034GG00006)

